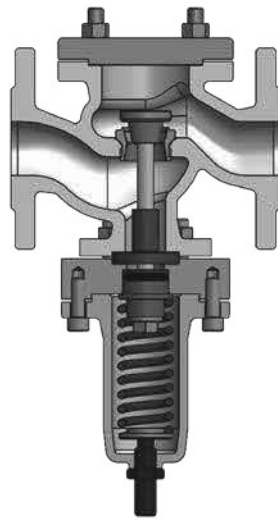


# REA20 REAH20 REAC20

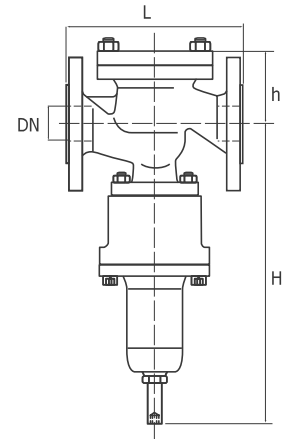
The model **REA20** is a direct acting pressure reducing valve designed for use of compressible media, such as air and various gases and for incompressible media such as water, oil and others. The valve provides a constant downstream pressure at a stable given inlet pressure and constant running flowrates. Changes in the upstream pressure and fluctuating consumption on the secondary side will result in variations in downstream pressure. The valve is not designed for dead-end services. Due to carefully selected springs a wide range of pressure applications is available. The pressure reducing valve can be delivered with ductile cast iron, cast steel or stainless steel housings. All important internal parts are manufactured in stainless steel. Depending on the medium the valve can be equipped with soft sealing or metal sealing valves/seats. As option the valves can be equipped with a pressure gauge on the valve body. Maximum pressure reduction ratio: 25:1



Size: DN 15 – 100



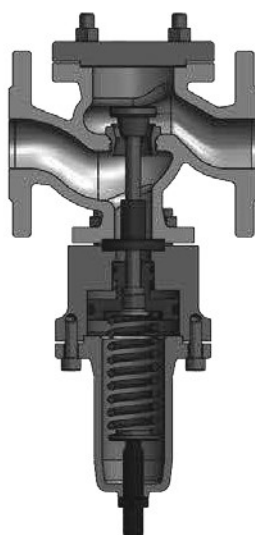
Size: DN 125 – 200



# REA20L REAH20L REAC20L

The model **REA20L** is a pressure reducing valve designed for use of compressible media, such as air and various gases and for incompressible media such as water, oil and others. Due to the use of a downstream pressure sensing line (pulse line) the valve provides a constant accurate downstream pressure. Carefully selected springs secure a wide range of downstream pressure applications. The pressure reducing valve can be delivered with ductile cast iron, cast steel or stainless steel housings. All important internal parts are manufactured in stainless steel. The valve is designed for dead-end services. In case of zero consumption on the secondary side the valve closes reliably. Depending on the medium the valve can be equipped with soft sealing or metal sealing valves/seats. As option the valves can be equipped with pressure gauges. Maximum pressure reduction ratio: 25:1

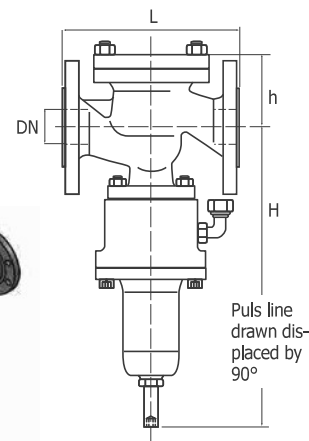
Maximum pressure reduction ratio: 25:1



Size: DN 15 – 100



Size: DN 125 – 200



# REA20 & REA20L

## Body material

REA20 / REA20L	REAH20 / REAH20L	REAH20-M / REAH20L-M	REAC20 / REAC20L
PN16 & PN25	PN40, PN63 & PN100	PN63 & PN100	PN40
Ductile Cast Iron EN-GJS-400-15 (GGG-40, 0.7040)	Cast Steel GP240GH (GS-C25, 1.0619)	Cast Steel G17CrMo 5-5 (1.7357)	Stainless Steel GX5CrNiMo19-11-2 (1.4408)

## Body design conditions

		REA20 / REA20L		REAH20 / REAH20L			REAH20-M / REAH20L-M		REAC20 / REAC20L
		PN16	PN25	PN40	PN63	PN100	PN63	PN100	PN40
Max. design pressure (MPa)	PMA	1,6	2,5	4,0	6,3	10,0	6,3	10,0	4,0
Max. design temperature (°C)	TMA	350	350	400	400	400	530	530	400
Max. operating pressure (MPa)	PMO	1,6	2,5	4,0	6,3	10,0	6,3	10,0	4,0
Max. operating temperature (°C)	TMO	350	350	400	400	400	530	530	400

## Pressure – Temperature rating

PN	Body material	Temperature °C										
		-10... +50	100	150	200	250	300	350	400	450	500	530
		Pressure MPa										
16	0.7040	1,6	1,6	1,6	1,5	1,4	1,3	1,1				
25	0.7040	2,5	2,5	2,4	2,3	2,2	2,0	1,8				
40	1.0619	4,0	3,7	3,5	3,1	2,8	2,6	2,4	2,3			
	1.4408	4,0	3,7	3,4	3,1	2,9	2,8	2,7	2,6			
63	1.0619	6,3	5,9	5,5	4,9	4,5	4,1	3,8	3,6			
	1.7357	6,3	6,3	6,3	6,3	6,2	5,7	5,3	5,0	4,8	3,8	2,2
100	1.0619	10,0	9,3	8,7	7,8	7,1	6,4	6,0	5,8			
	1.7357	10,0	10,0	10,0	10,0	9,8	9,1	8,4	8,0	7,6	6,1	3,5

## Available downstream pressure ranges

Downstream pressure range MPa	REA20 REAH20 REAC20	REA20L REAH20L REAC20L
	< 0,05	on request
0,05 – 0,1	✓	✓
0,1 – 0,16	✓	✓
0,16 – 0,25	✓	✓
0,25 – 0,4	✓	✓
0,4 – 0,63	✓	✓
0,63 – 1,0	✓	✓
1,0 – 1,6	✓	on request
> 1,6	on request	on request

## Dimensions & Weights

Size (DN)	Model REA20 (REAH20, REAC20)							Model REA20L (REAH20L, REAC20L)							Kvs Value
	Dimensions (mm)				Weight (kg)			Dimensions (mm)				Weight (kg)			
	L		H	h	0.7040	1.0619	1.4408	L		H	h	0.7040	1.0619	1.4408	
	PN16-40	PN63-100						PN16-40	PN63-100						
15	130	210	289	82	13,0	14,5	14,5	130	210	315	82	13,0	14,5	14,5	1,8
20	150	230		66	13,0	14,5	14,5	150	230		66	13,0	14,5	14,5	3,2
25	160	230		66	14,5	16,5	16,5	160	230		66	14,5	16,5	16,5	5,0
32	180	260		81	16,0	18,5	18,5	180	260		81	16,0	18,5	18,5	7,9
40	200	260		83	18,0	22,0	22,0	200	260		83	18,0	22,0	22,0	13,0
50	230	300	416	100	34,0	37,5	37,5	230	300	477	100	34,0	37,5	37,5	20,0
65	290	340	445	113	45,0	49,0	49,0	290	340	520	113	45,0	49,0	49,0	34,0
80	310	380	553	140	61,0	65,0	65,0	310	380	648	140	61,0	65,0	65,0	51,0
100	350	430	582	154	87,0	91,0	91,0	350	430	670	154	87,0	91,0	91,0	80,0
125	400		715	210	120,0	120,0	120,0	400		660	210	125,0	125,0	125,0	130,0
150	480		720	235	130,0	135,0	135,0	480		680	235	150,0	160,0	160,0	180,0
200	600		950	285	230,0	280,0	280,0	600		740	285	245,0	300,0	300,0	320,0

Connections: Flanged EN-DIN1092, ASME B16.5

For more information see the special MIYAWAKI leaflet.