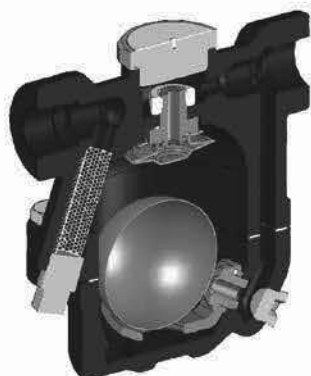


G20N

GC20



Screwed



Flanged Connection

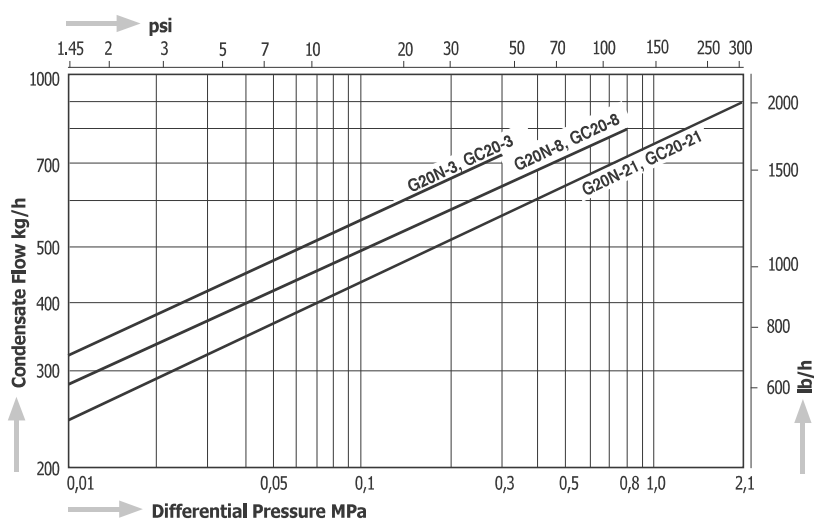


Screwed

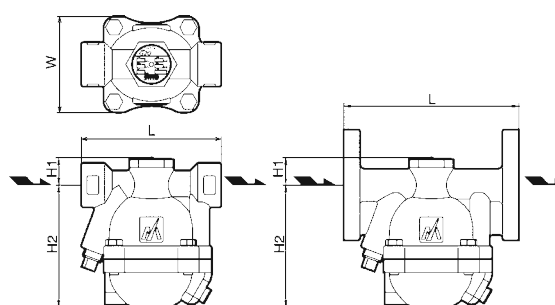


Flanged Connection

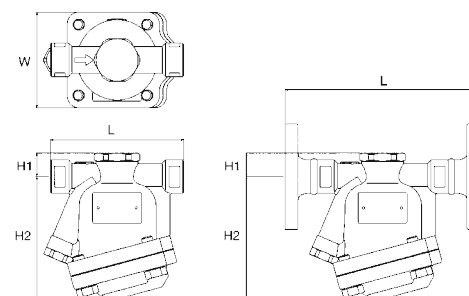
Capacity Chart G20N / GC20



Dimensions G20N



Dimensions GC20



Available versions G20N / GC20

Max. Operating Pressure:

- G20N (GC20)- 3 0,3 MPa (43 psig)
- G20N (GC20)- 8 0,8 MPa (116 psig)
- G20N (GC20)- 21 2,1 MPa (305 psig)

Model	Connections	Size	Max. Operating Pressure, PMO		Max. Operating Temperature, TMO		Dimensions (mm)				Dimensions (in)				Body Material	Weight									
			MPa	psig	°C	°F	L	H1	H2	W	L	H1	H2	W		kg	lb								
G20N	Screwed Rc, NPT	1/2"	2,1	305	220	428	120	24	105	82	4.7	1.0	4.1	3.2	Ductile Cast Iron FCD450	2,5	5,5								
		3/4"							105				4.1			2,5	5,5								
		1"							107				4.2			2,6	5,7								
G20NF	Flanged JIS, ASME	1/2"					2,1	305	220	428	150	24	105	82		4.7	1.0	4.1	3.2	Ductile Cast Iron FCD450	3,7*	8,1*			
		3/4"																6.3			4,2*	9,2*			
		1"																6.3			4,8*	10,6*			
	Flanged DIN	DN15									5.9	3,7	8,1												
		DN20									5.9	4,2	9,2												
		DN25									6.3	4,8	10,6												
GC20	Screwed Rc, NPT	1/2"					2,1	305	220	428	120	21	113	86		4.7	0.8	4.4	3.4	Stainless Steel SCS13A	2,4	5,3			
		3/4"																6.9			0.8	4.4	3.4	2,4	5,3
		1"																						7.7	2,5
G20F	Flanged JIS, ASME	1/2"	2,1	305	220	428					175	21	113	86	4.7	0.8	4.4		3.4					Stainless Steel SCS13A	3,9*
		3/4"															8.5	5,0*			11,0*				
		1"															8.5	5,8*			12,8*				
	Flanged DIN	DN15									5.9	3,4	7,5												
		DN20									5.9	3,9	8,6												
		DN25									6.3	4,6	10,1												

*Depending on the flange rating the weight may differ.